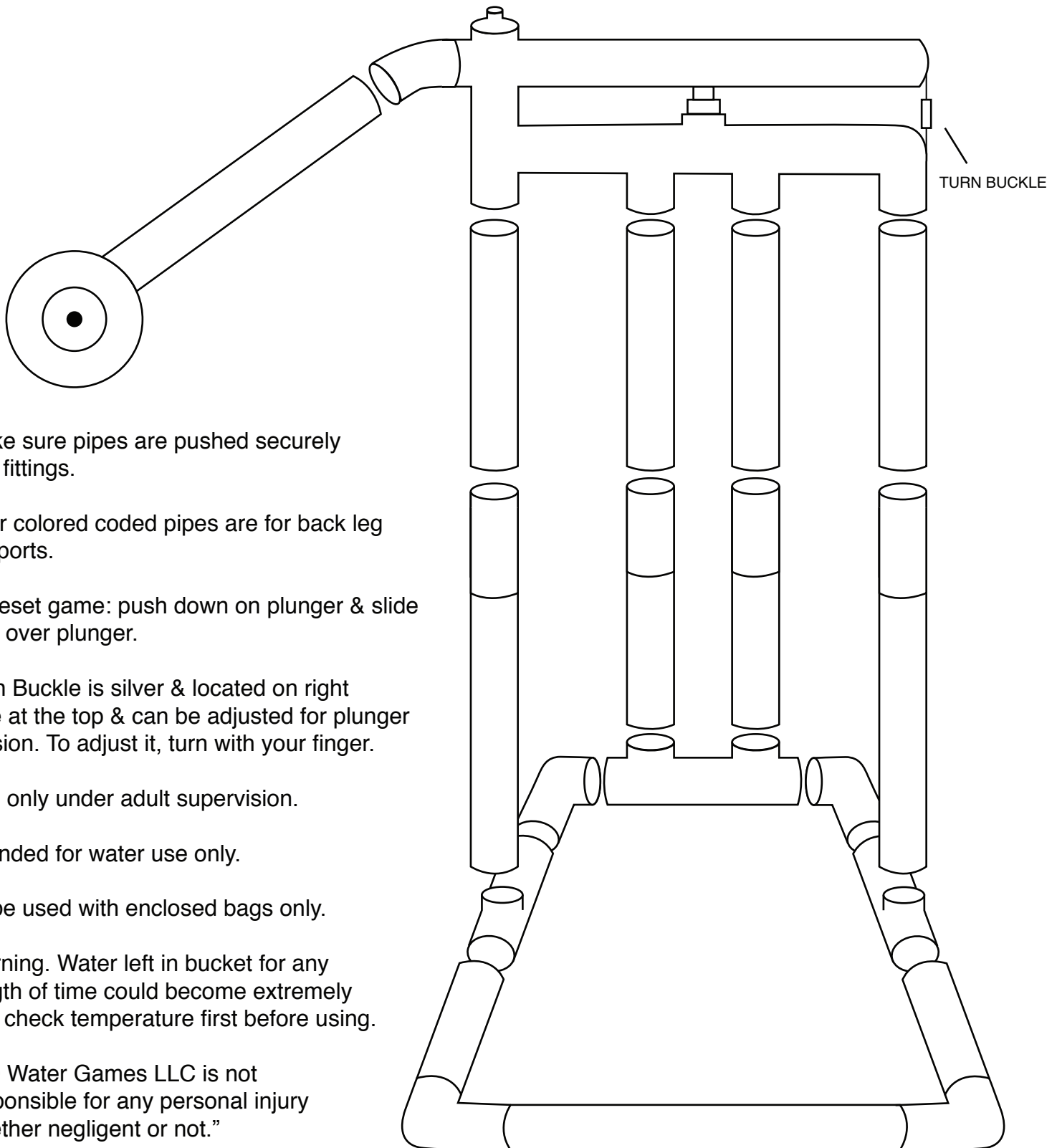


SOAK 'N' WET DIRECTIONS



- Make sure pipes are pushed securely into fittings.
- Four colored coded pipes are for back leg supports.
- To reset game: push down on plunger & slide arm over plunger.
- Turn Buckle is silver & located on right side at the top & can be adjusted for plunger tension. To adjust it, turn with your finger.
- Use only under adult supervision.
- Intended for water use only.
- To be used with enclosed bags only.
- Warning. Water left in bucket for any length of time could become extremely hot, check temperature first before using.
- "KO Water Games LLC is not responsible for any personal injury whether negligent or not."

For a video tutorial of assembly and activation, please visit our web site.
www.kowatergames.com

ASSEMBLED IN THE U.S.A.